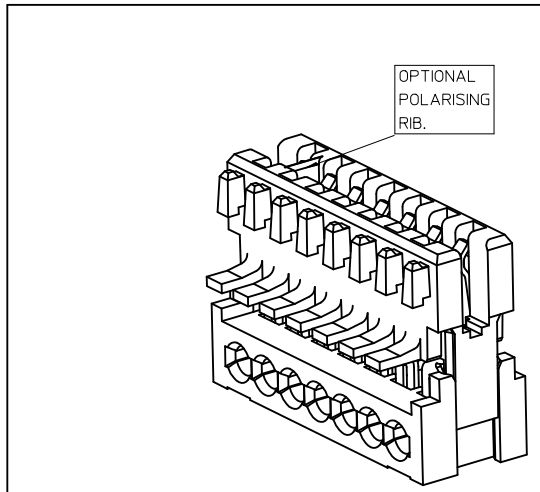
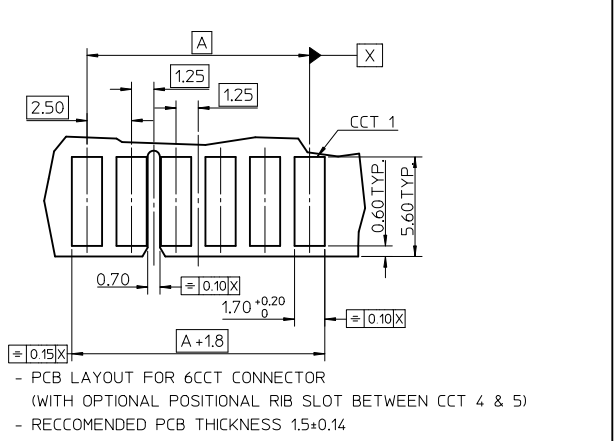


CCT	"A"	"B"
3	5.0	9.875
4	7.5	12.375
5	10.0	14.875
6	12.5	17.375
7	15.0	19.875
8	17.5	22.375
9	20.0	24.875
10	22.5	27.375
11	25.0	29.875
12	27.5	32.375
13	30.0	34.875
14	32.5	37.375
15	35.0	39.875
16	37.5	42.375
17	40.0	44.875
18	42.5	47.375
19	45.0	49.875
20	47.5	52.375



SEE SUBSEQUENT SHEETS FOR RELEVANT PART NUMBERS.

- NOTES:
- REFER TO PRODUCT SPECIFICATION: PS-99020-0040.
  - MATERIAL: HOUSING - NYLON PA6  
UL94-V0, COLOUR: NATURAL (WHITE).  
TERMINAL: PHOSPHOR BRONZE 0.30 REF. THICK - PLATING  
HOT TIN DIP.
  - COLOUR STRIPE IS OPTIONAL. AVAILABLE IN THE FOLLOWING  
COLOURS: RED, GREEN, BLUE.  
(BLACK SIGNIFIES CUSTOMER SPECIFIC CONFIGURATION).  
ASTERISK IN CHART INDICATES FULL AREA COVERED.
  - REFER TO PACKAGING SPEC (PK-90871-001)
  - REFER TO APPLICATION SPEC (AS-99033-0008)



REV	DESCRIPTION	QUALITY SYMBOLS	GENERAL TOLERANCES (UNLESS SPECIFIED)		DIMENSION STYLE		SCALE	DESIGN UNITS	THIRD ANGLE PROJECTION
			mm	INCH	MM ONLY	TITLE			
AC	ADDED P/N'S ECL NO: E2010-0231 DRWN: T0UR SH 2009/12/16 CHKO: BRUTLE 2009/12/17 APPR: BMAGUIRE 2009/12/22	▽=0 ▽=0	4 PLACES ± --- ± ---		DRAWN BY NMCNAMAR	DATE 2004/02/12	5:1	METRIC	APPLI-MATE 2.5 FEMALE (MATL: NYLON PA6)
			3 PLACES ± 0.05 ± ---		CHECKED BY J DENNEHY	DATE 2004/02/13			
			2 PLACES ± 0.10 ± ---		APPROVED BY BMAGUIRE	DATE 2004/02/16			
			1 PLACE ± 0.2 ± ---		MATERIAL NO. SEE SHEET 2-5				
			ANGULAR ± 1/2°		MOLEX INCORPORATED				
			DRAFT WHERE APPLICABLE MUST REMAIN WITHIN DIMENSIONS		DOCUMENT NO. SD-91716-001				SHEET NO. 1 OF 5
					THIS DRAWING CONTAINS INFORMATION THAT IS PROPRIETARY TO MOLEX INCORPORATED AND SHOULD NOT BE USED WITHOUT WRITTEN PERMISSION				

### 3 CIRCUIT

MOLEX PART NO.	TERMINAL VOID POSITION	REMOVED POSITION KEYS	CONFIGURATION (SEE NOTE 1)	POLARIZING RIB	COLOUR STRIPE
91716-0001	NONE	NONE		NONE	NONE
91716-0002	NONE	a d		NONE	RED
91716-0013	NONE	a		NONE	NONE
91716-0014	NONE	b		NONE	NONE
91716-0015	NONE	c		NONE	NONE
91716-0016	NONE	d		NONE	NONE
91716-0017	NONE	b d		NONE	NONE
91716-0018	NONE	a c		NONE	NONE
91716-0019	NONE	a d		NONE	NONE
91716-0020	NONE	a b		NONE	NONE
91716-0021	NONE	b c		NONE	NONE
91716-0022	NONE	c d		NONE	NONE
91716-0023	CKT 2	b d		NONE	NONE
91716-0024	CKT 3	c		NONE	BLUE
91716-0034	NONE	NONE		BETWEEN CKT 1&2	NONE
91716-0041	NONE	NONE		BETWEEN CKT 2&3	NONE
91716-0042	CKT 1	NONE		NONE	NONE
91716-0043	CKT 1	c		NONE	NONE
91716-0044	NONE	b d		NONE	BLUE
91716-0045	NONE	b		NONE	BLUE
91716-0046	CKT 1	d		NONE	NONE
91716-0047	NONE	b d		NONE	RED

### 4 CIRCUIT

MOLEX PART NO.	TERMINAL VOID POSITION	REMOVED POSITION KEYS	CONFIGURATION (SEE NOTE 1)	POLARIZING RIB	COLOUR STRIPE
91716-0501	NONE	NONE		NONE	NONE
91716-0502	NONE	d		NONE	NONE
91716-0503	NONE	a d		NONE	NONE
91716-0504	NONE	c e		NONE	NONE
91716-0505	NONE	a		NONE	NONE
91716-0506	NONE	NONE		BETWEEN CKT 2&3	NONE
91716-0538	NONE	b		NONE	NONE
91716-0530	NONE	b c		NONE	NONE
91716-0539	NONE	a b		NONE	NONE
91716-0540	NONE	d e		NONE	NONE
91716-0541	NONE	ALL		NONE	NONE
91716-0542	NONE	a b e		NONE	NONE
91716-0507	CKT 1	NONE		NONE	NONE
91716-0543	NONE	NONE		BETWEEN CKT 3&4	RED
91716-0544	NONE	NONE		BETWEEN CKT 2&3	BLUE
91716-0545	NONE	d		NONE	BLUE
91716-0546	NONE	b		NONE	RED
91716-0547	NONE	b c		NONE	GREEN
91716-0548	NONE	c d		NONE	RED
91716-0549	NONE	a c e		NONE	NONE
91716-0550	NONE	NONE		BETWEEN CKT 1&2	NONE

### 4 CIRCUIT (continued)

MOLEX PART NO.	TERMINAL VOID POSITION	REMOVED POSITION KEYS	CONFIGURATION (SEE NOTE 1)	POLARIZING RIB	COLOUR STRIPE
91716-0551	NONE	NONE		NONE	GREEN*

#### NOTES

- + DENOTES TERMINAL VOIDED POSITION
  - DENOTES TERMINAL LOADED POSITION
  - | DENOTES POLARIZING RIB POSITION
- \* = COLOUR COVERS WHOLE AREA

<b>SEE SHEET 1</b> EC NO: E2010-0231 DRAWN BY: DRW:TT00RSH CHKD:GRUTLE APPR:BMAGUIRE 2009/12/16 2009/12/22 2009/12/22	QUALITY SYMBOLS ▽=0 ▽=0	GENERAL TOLERANCES (UNLESS SPECIFIED) mm INCH 4 PLACES ±--- ±--- 3 PLACES ±0.05 ±--- 2 PLACES ±0.10 ±--- 1 PLACE ±0.2 ±--- ANGULAR ±1/2°	DIMENSION STYLE <b>MM ONLY</b>	SCALE 1:1	DESIGN UNITS METRIC	THIRD ANGLE PROJECTION
	DRAWN BY: NMCNAMAR DATE: 2004/02/12 CHECKED BY: JDENNEY DATE: 2004/02/13 APPROVED BY: BMAGUIRE DATE: 2004/02/16	TITLE <b>APPLI-MATE 2.5 FEMALE (MATL: NYLON PA6)</b>	MATERIAL NO. <b>SD-91716-001</b>	DOCUMENT NO.	SHEET NO. 2 OF 5	
	DRAFT WHERE APPLICABLE MUST REMAIN WITHIN DIMENSIONS					
	SEE CHART THIS DRAWING CONTAINS INFORMATION THAT IS PROPRIETARY TO MOLEX INCORPORATED AND SHOULD NOT BE USED WITHOUT WRITTEN PERMISSION					

### 5 CIRCUIT

MOLEX PART NO.	TERMINAL VOID POSITION	REMOVED POSITION KEYS	CONFIGURATION (SEE NOTE 1)	POLARIZING RIB	COLOUR STRIPE
91716-1001	NONE	NONE		NONE	NONE
91716-1002	NONE	ALL		BETWEEN CKT 3&4	NONE
91716-1003	NONE	NONE		BETWEEN CKT 4&5	NONE
91716-1004	NONE	c, d		NONE	NONE
91716-1005	NONE	a		NONE	NONE
91716-1006	NONE	b		NONE	NONE
91716-1007	NONE	a, b, e, f		NONE	NONE
91716-1008	NONE	NONE		BETWEEN CKT 2&3	NONE
91716-1009	CKT 2, 3, 4	NONE		NONE	NONE
91716-1010	CKT 2	c		NONE	NONE
91716-1011	CKT 2	d		NONE	NONE
91716-1012	CKT 2	b		NONE	NONE
91716-1013	CKT 2	a		NONE	NONE
91716-1014	NONE	b, c, d, e		NONE	NONE
91716-1015	CKT 2,3,4	NONE		BETWEEN CKT 3&4	RED
91716-1016	CKT 2	b		NONE	RED
91716-1017	NONE	d, e		NONE	NONE
91716-1018	NONE	a, d, f		NONE	NONE

### 6 CIRCUIT

MOLEX PART NO.	TERMINAL VOID POSITION	REMOVED POSITION KEYS	CONFIGURATION (SEE NOTE 1)	POLARIZING RIB	COLOUR STRIPE
91716-1501	NONE	NONE		NONE	NONE
91716-1502	NONE	ALL		BETWEEN CKT 3&4	NONE
91716-1503	NONE	c, e, f, g		NONE	NONE
91716-1504	NONE	ALL		BETWEEN CKT 2&3	NONE
91716-1505	CKT 2, 5	d, f		NONE	NONE
91716-1506	NONE	a, b, f, g		NONE	NONE
91716-1507	NONE	e, f		NONE	NONE
91716-1509	NONE	g		NONE	NONE
91716-1510	CKT 2	c, f		NONE	NONE
91716-1511	CKT 2, 5	NONE		NONE	NONE
91716-1512	CKT 3, 5	NONE		NONE	NONE
91716-1513	CKT 2, 4	b, d, e, f		NONE	NONE
91716-1514	CKT 3, 5	NONE		BETWEEN CKT 1&2	NONE
91716-1515	CKT 2, 5	NONE		BETWEEN CKT 2&3	NONE
91716-1516	NONE	c, f		BETWEEN CKT 3&4	NONE
91716-1517	NONE	c, e		NONE	NONE
91716-1518	CKT 2, 4	NONE		NONE	NONE
91716-1519	NONE	a, c, e		NONE	NONE
91716-1520	CKT 5	c, e		NONE	NONE
91716-1521	CKT 2, 4, 5, 6	c, e		NONE	NONE
91716-1522	CKT 2, 6	c, e		NONE	NONE

### 6 CIRCUIT (continued)

MOLEX PART NO.	TERMINAL VOID POSITION	REMOVED POSITION KEYS	CONFIGURATION (SEE NOTE 1)	POLARIZING RIB	COLOR STRIPE
91716-1523	NONE	NONE		BETWEEN CKT 4&5	NONE
91716-1524	CKT 2, 4, 5, 6	NONE		NONE	NONE
91716-1525	CKT 2, 6	NONE		NONE	NONE
91716-1526	CKT 2, 5	NONE		NONE	NONE
91716-1527	CKT 2, 5	c, e		NONE	NONE
91716-1528	CKT 2, 5	a, b, d, f, g		NONE	GREEN
91716-1529	NONE	d		NONE	NONE
91716-1531	CKT 1, 2, 3, 5	NONE		NONE	NONE
91716-1532	CKT 1, 2, 3, 5	d, f		NONE	NONE
91716-1534	CKT 3, 4	b, d, f		NONE	NONE
91716-1535	CKT 4, 5	b, d, f		NONE	NONE
91716-1536	NONE	NONE		BETWEEN CKT 2&3	NONE
91716-1537	NONE	d		NONE	BLUE
91716-1538	CCT 2, 5	b, d		NONE	NONE
91716-1539	CCT 5, 6	c, f		NONE	NONE
91716-1540	CCT 2, 4	d, e		NONE	GREEN
91716-1541	NONE	a, f, g		NONE	NONE
91716-1542	NONE	NONE		NONE	RED*

- NOTES**
- + DENOTES TERMINAL VOIDED POSITION
    - DENOTES TERMINAL LOADED POSITION
    - | DENOTES POLARIZING RIB POSITION
  - \* = COLOUR COVERS WHOLE AREA

<b>SEE SHEET 1</b> EC NO: E2010-0231 DRAWN BY: DRWNT/TOUR/SH CHECKED BY: CHKO/BB/UTLE APPROVED BY: BRMAGUIRE DATE: 2009/12/17 DATE: 2009/12/22 DATE: 2009/12/22	QUALITY SYMBOLS 	GENERAL TOLERANCES (UNLESS SPECIFIED) m/m INCH 4 PLACES ±.05 ±.0008 3 PLACES ±.10 ±.0015 1 PLACE ±.20 ±.0030 ANGULAR ±1/2°	DIMENSION STYLE <b>MM ONLY</b> DRAWN BY DATE NMCNAMAR 2004/02/12 CHECKED BY DATE JDENNEHY 2004/02/13 APPROVED BY DATE BRMAGUIRE 2004/02/16	SCALE <b>1:1</b> DESIGN UNITS <b>METRIC</b> THIRD ANGLE PROJECTION	TITLE <b>APPLI-MATE 2.5 FEMALE (MATL: NYLON PA6)</b>	
	MATERIAL NO. SD-91716-001		DOCUMENT NO. 3 OF 5		MOLEX INCORPORATED	
	DRAFT WHERE APPLICABLE MUST REMAIN WITHIN DIMENSIONS		SEE CHART		THIS DRAWING CONTAINS INFORMATION THAT IS PROPRIETARY TO MOLEX INCORPORATED AND SHOULD NOT BE USED WITHOUT WRITTEN PERMISSION	
	SIZE 1					

### 7 CIRCUIT

MOLEX PART NO.	TERMINAL VOID POSITION	REMOVED POSITION KEYS	CONFIGURATION (SEE NOTE 1)	POLARIZING RIB	COLOUR STRIPE
91716-2001	NONE	NONE		NONE	NONE
91716-2002	NONE	ALL		BETWEEN CKT 2&3	NONE
91716-2004	NONE	a		NONE	NONE
91716-2005	CKT 2	h		NONE	NONE
91716-2006	CKT 4	a		NONE	NONE
91716-2007	CKT 2	NONE		NONE	NONE
91716-2008	CKT 6	NONE		NONE	NONE
91716-2009	CKT 2	b c e g		NONE	BLUE
91716-2010	CKT 4 & 6	b d f		NONE	RED
91716-2011	CKT 4 & 6	b d f		NONE	BLUE
91716-2012	CKT 2	NONE		NONE	BLUE
91716-2013	CKT 2	b d e f h		NONE	BLUE
91716-2014	CKT 4 & 6	NONE		NONE	BLUE
91716-2015	CKT 4 & 6	c d e f h		NONE	BLUE
91716-2016	CKT 6	c d e f h		NONE	BLUE
91716-2017	CKT 6	c d e f		NONE	BLUE
91716-2018	CKT 6	NONE		NONE	BLUE
91716-2019	CKT 2	NONE		NONE	BLACK
91716-2020	NONE	a c e f h		NONE	NONE
91716-2021	NONE	a		NONE	BLACK*

### 8 CIRCUIT

MOLEX PART NO.	TERMINAL VOID POSITION	REMOVED POSITION KEYS	CONFIGURATION (SEE NOTE 1)	POLARIZING RIB	COLOUR STRIPE
91716-2501	NONE	NONE		NONE	NONE
91716-2502	NONE	NONE		BETWEEN CKT 3&4	NONE
91716-2503	NONE	c f h l		NONE	NONE
91716-2504	NONE	b c d h l		NONE	NONE
91716-2505	NONE	b c g h		NONE	BLUE
91716-2506	NONE	c f		NONE	NONE
91716-2507	NONE	c f h i		NONE	BLUE
91716-2508	NONE	NONE		NONE	BLUE
91716-2509	NONE	a c d e g i		NONE	BLUE
91716-2510	NONE	c d e f		NONE	BLUE
91716-2511	NONE	NONE		NONE	BLACK
91716-2512	NONE	c f h i		NONE	BLACK
91716-2513	NONE	c d g h		NONE	NONE
91716-2514	NONE	a c d e f g h i		NONE	BLUE
91716-2515	NONE	a b d f h i		NONE	NONE
91716-2516	NONE	b c d h i		NONE	BLUE*

### 9 CIRCUIT

MOLEX PART NO.	TERMINAL VOID POSITION	REMOVED POSITION KEYS	CONFIGURATION (SEE NOTE 1)	POLARIZING RIB	COLOUR STRIPE
91716-3001	NONE	NONE		NONE	NONE
91716-3002	NONE	NONE		BETWEEN CKT 4&5	NONE
91716-3003	CKT 2, 5, 8	NONE		NONE	NONE
91716-3004	NONE	NONE		BETWEEN CKT 2&3	NONE
91716-3005	CKT 2, 5, 8	b c e g i j		NONE	GREEN
91716-3006	CKT 2, 5, 8	NONE		NONE	GREEN
91716-3007	CKT 2, 5, 8	b c e f g i j		NONE	GREEN
91716-3008	CKT 2, 5, 8	b c e f g i		NONE	GREEN
91716-3009	CKT 2, 5, 7	c g		NONE	NONE
91716-3010	CKT 2, 5, 8	b c h i		NONE	NONE

### 10 CIRCUIT

MOLEX PART NO.	TERMINAL VOID POSITION	REMOVED POSITION KEYS	CONFIGURATION (SEE NOTE 1)	POLARIZING RIB	COLOUR STRIPE
91716-3501	NONE	NONE		NONE	NONE
91716-3502	NONE	ALL		BETWEEN CKT 2&3	NONE
91716-3503	CKT 2, 5, 7, 9	NONE		NONE	NONE
91716-3504	NONE	NONE		BETWEEN CKT 4&5	NONE

### 11 CIRCUIT

MOLEX PART NO.	TERMINAL VOID POSITION	REMOVED POSITION KEYS	CONFIGURATION (SEE NOTE 1)	POLARIZING RIB	COLOUR STRIPE
91716-4001	NONE	NONE		NONE	NONE

- NOTES
- + DENOTES TERMINAL VOIDED POSITION
  - ⊕ DENOTES TERMINAL LOADED POSITION
  - | DENOTES POLARIZING RIB POSITION
  - \* = COLOUR COVERS WHOLE AREA

<b>SEE SHEET 1</b> 2009/12/16 DRWNTOUR.SH CHKDBRUTLE APPR:BMAGUIRE 2009/12/22	QUALITY SYMBOLS ▽=0 ▽=0	GENERAL TOLERANCES (UNLESS SPECIFIED) mm INCH 4 PLACES ±.--- ±.--- 3 PLACES ±0.05 ±.--- 2 PLACES ±0.10 ±.--- 1 PLACE ±0.2 ±.--- ANGULAR ±1/2°	DIMENSION STYLE <b>MM ONLY</b> DRAWN BY DATE NMCNAMAR 2004/02/12 CHECKED BY DATE JDENNEY 2004/02/13 APPROVED BY DATE BMAGUIRE 2004/02/16	SCALE 1:1 DESIGN UNITS METRIC THIRD ANGLE PROJECTION	TITLE <b>APPLI-MATE 2.5 FEMALE (MATL: NYLON PA6)</b>
	MATERIAL NO. DOCUMENT NO.		SD-91716-001		SHEET NO. 4 OF 5

DRAFT WHERE APPLICABLE MUST REMAIN WITHIN DIMENSIONS  
**SEE CHART**  
 THIS DRAWING CONTAINS INFORMATION THAT IS PROPRIETARY TO MOLEX INCORPORATED AND SHOULD NOT BE USED WITHOUT WRITTEN PERMISSION

### 12 CIRCUIT

MOLEX PART NO.	TERMINAL VOID POSITION	REMOVED POSITION KEYS	CONFIGURATION (SEE NOTE 1)	POLARIZING RIB	COLOUR STRIPE
91716-4501	NONE	NONE		NONE	NONE
91716-4502	CKT 2 5 8 11	b c d e j k l		NONE	GREEN
91716-4503	CKT 2 5 8 11	NONE		NONE	GREEN
91716-4504	CKT 2 5 8 11	a c d e g h i k l m		NONE	GREEN
91716-4505	CKT 2 5 8 11	c d e g h i k l m		NONE	GREEN

### 13 CIRCUIT

MOLEX PART NO.	TERMINAL VOID POSITION	REMOVED POSITION KEYS	CONFIGURATION (SEE NOTE 1)	POLARIZING RIB	COLOUR STRIPE
91716-5001	NONE	NONE		NONE	NONE
91716-5002	CKT 4, 6, 8, 10, 12	NONE		NONE	NONE
91716-5003	NONE	c f h i k l		NONE	NONE

### 14 CIRCUIT

MOLEX PART NO.	TERMINAL VOID POSITION	REMOVED POSITION KEYS	CONFIGURATION (SEE NOTE 1)	POLARIZING RIB	COLOUR STRIPE
91716-5501	NONE	NONE		NONE	NONE

### 15 CIRCUIT

MOLEX PART NO.	TERMINAL VOID POSITION	REMOVED POSITION KEYS	CONFIGURATION (SEE NOTE 1)	POLARIZING RIB	COLOUR STRIPE
91716-6001	NONE	NONE		NONE	NONE
91716-6002	CKT 4, 6, 8, 10, 12, 14	o p		NONE	NONE

### 16 CIRCUIT

MOLEX PART NO.	TERMINAL VOID POSITION	REMOVED POSITION KEYS	CONFIGURATION (SEE NOTE 1)	POLARIZING RIB	COLOUR STRIPE
91716-6501	NONE	NONE		NONE	NONE

### 17 CIRCUIT

MOLEX PART NO.	TERMINAL VOID POSITION	REMOVED POSITION KEYS	CONFIGURATION (SEE NOTE 1)	POLARIZING RIB	COLOUR STRIPE
91716-7001	NONE	NONE		NONE	NONE

### 18 CIRCUIT

MOLEX PART NO.	TERMINAL VOID POSITION	REMOVED POSITION KEYS	CONFIGURATION (SEE NOTE 1)	POLARIZING RIB	COLOUR STRIPE
91716-7501	NONE	NONE		NONE	NONE

### 19 CIRCUIT

MOLEX PART NO.	TERMINAL VOID POSITION	REMOVED POSITION KEYS	CONFIGURATION (SEE NOTE 1)	POLARIZING RIB	COLOUR STRIPE
91716-8001	NONE	NONE		NONE	NONE

### 20 CIRCUIT

MOLEX PART NO.	TERMINAL VOID POSITION	REMOVED POSITION KEYS	CONFIGURATION (SEE NOTE 1)	POLARIZING RIB	COLOUR STRIPE
91716-8501	NONE	NONE		NONE	NONE

NOTES:

- + DENOTES TERMINAL VOIDED POSITION
  - DENOTES TERMINAL LOADED POSITION
  - | DENOTES POLARIZING RIB POSITION

SEE SHEET 1 LEC NO: E200-0231 DRAWN BY: DRWNTOUR.SH CHKD: BRUTLE APPR: BMAGUIRE	2009/12/16 2009/12/22 2009/12/22	QUALITY SYMBOLS 	GENERAL TOLERANCES (UNLESS SPECIFIED) m/m    INCH 4 PLACES ± .05    ± .002 3 PLACES ± 0.05    ± .002 2 PLACES ± 0.10    ± .004 1 PLACE ± 0.2    ± .008 ANGULAR ± 1/2°	DIMENSION STYLE MM ONLY	SCALE 1:1	DESIGN UNITS METRIC	THIRD ANGLE PROJECTION	
	DRAWN BY: NMCNAMAR    DATE: 2004/02/12 CHECKED BY: JDENNEHY    DATE: 2004/02/13 APPROVED BY: BMAGUIRE    DATE: 2004/02/16		DRAFT WHERE APPLICABLE MUST REMAIN WITHIN DIMENSIONS		SEE CHART		TITLE APPLI-MATE 2.5 FEMALE (MATL: NYLON PA6)	
	MATERIAL NO. SD-91716-001		DOCUMENT NO. 5 OF 5		MOLEX INCORPORATED		SHEET NO.	
	THIS DRAWING CONTAINS INFORMATION THAT IS PROPRIETARY TO MOLEX INCORPORATED AND SHOULD NOT BE USED WITHOUT WRITTEN PERMISSION							